



CITY OF FORT WAYNE

THOMAS C. HENRY, MAYOR

*TRANSPORTATION ADMINISTRATION
RIGHT OF WAY PERMIT DEPARTMENT
200 E. BERRY STREET, SUITE 210
FORT WAYNE, IN 46802
PHONE: 427-6155*

DATE _____

ADDRESS _____

It was brought to our attention that there is an illegal drain pipe on your property. The City of Fort Wayne does not allow for the drainage onto the public Right of Way, per Ordinance 99.020.

You need to take this pipe back to private property. You will need to go back eleven (11) feet from the back of the sidewalk (or twenty-one (21) feet from the back of curb in areas where there is no sidewalk), and then install a wet well three (3) feet by three (3) feet by three (3) feet, which should be finished with pea gravel, burlap and one (1) foot of top soil. (see enclosed diagram)

Your cooperation in the above matter is greatly appreciated.

Thank you.

Right of Way Department, Inspector: _____

Ordinance 99.020 OBSTRUCTING FREE PASSAGE UPON STREETS AND SIDEWALKS:

- (A) It shall be unlawful for any person to obstruct the free passage along and upon any street, sidewalk, space between sidewalk and curbing, or commonly traveled portion of a street or other public place and to place or permit to be placed upon such street, sidewalk, space between sidewalk and curbing, or commonly traveled portion of a street or other public place, any thing or object whatsoever so as to obstruct or block the use thereof, or so to endanger the life or limb, or property of other using such passage.

ENGAGE • INNOVATE • PERFORM

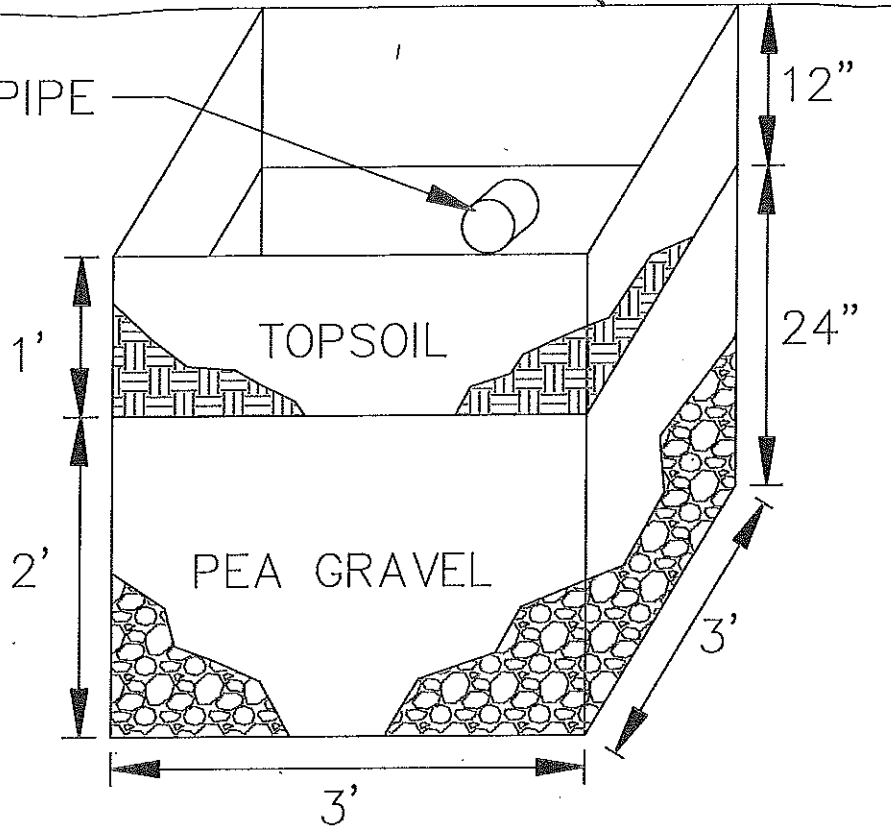
CITIZENS SQUARE

200 E. Berry St. • Fort Wayne, Indiana • 46802 • www.cityoffortwayne.org
An Equal Opportunity Employer

DRY WELL

TOPSOIL TO BE LEVEL WITH
GROUND ELEVATION

DISCHARGE PIPE



3'x3'x3' DRY WELL TO BE LINED WITH BURLAP INCLUDING A 3'x3' BURLAP TOP FLAP.

FILL HOLE 2' DEEP WITH PEA GRAVEL
DISCHARGE PIPE INTO PEA GRAVEL LAYER
AND COVER PEA GRAVEL WITH BURLAP FLAP.

FILL REMAINING 1' OF DRY WELL WITH TOPSOIL
LEVEL WITH THE EXISTING GROUND ELEVATION.